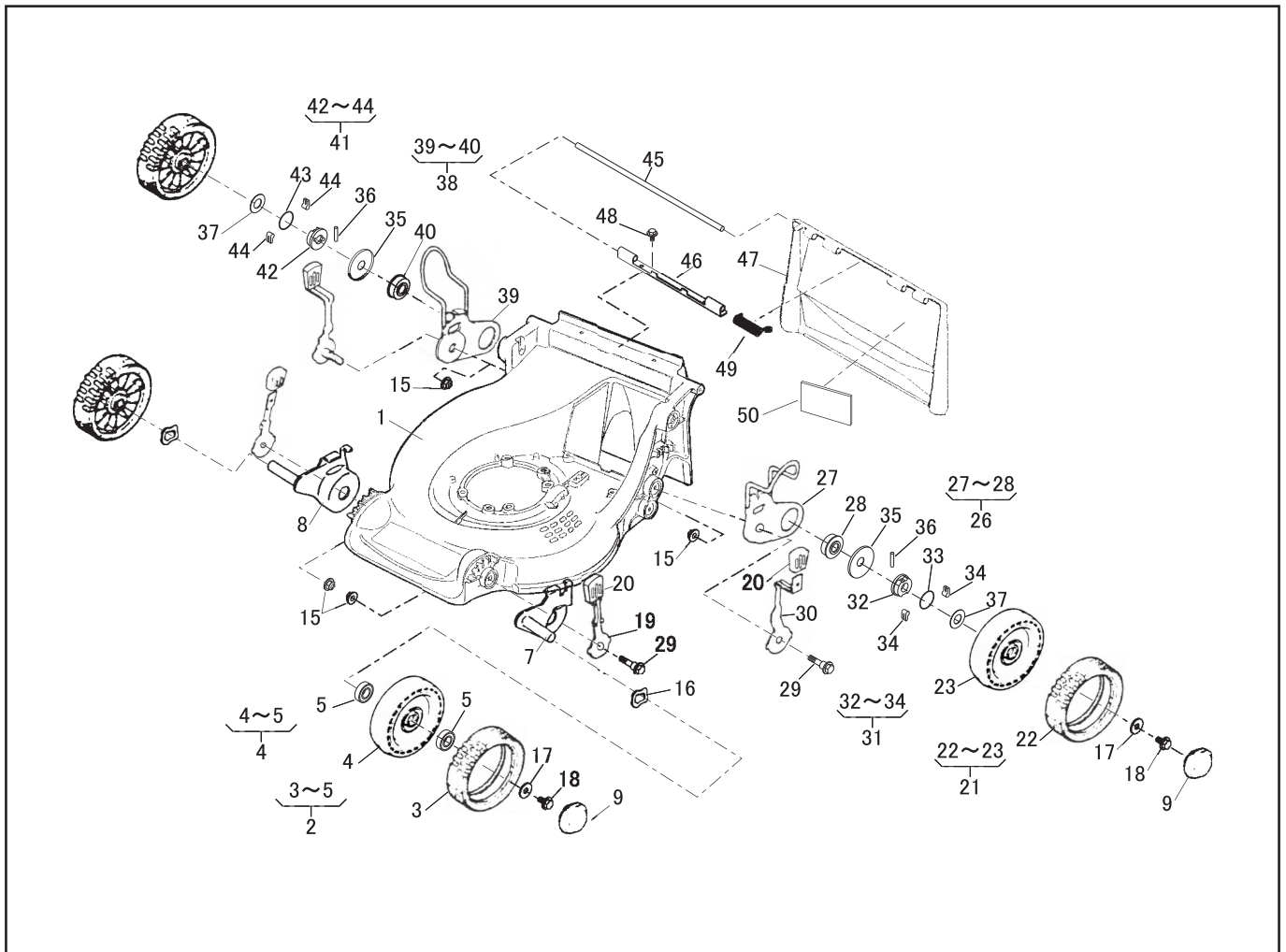




TOSAERBA SARP

SLM-4840HX

ESPLOSO RICAMBI

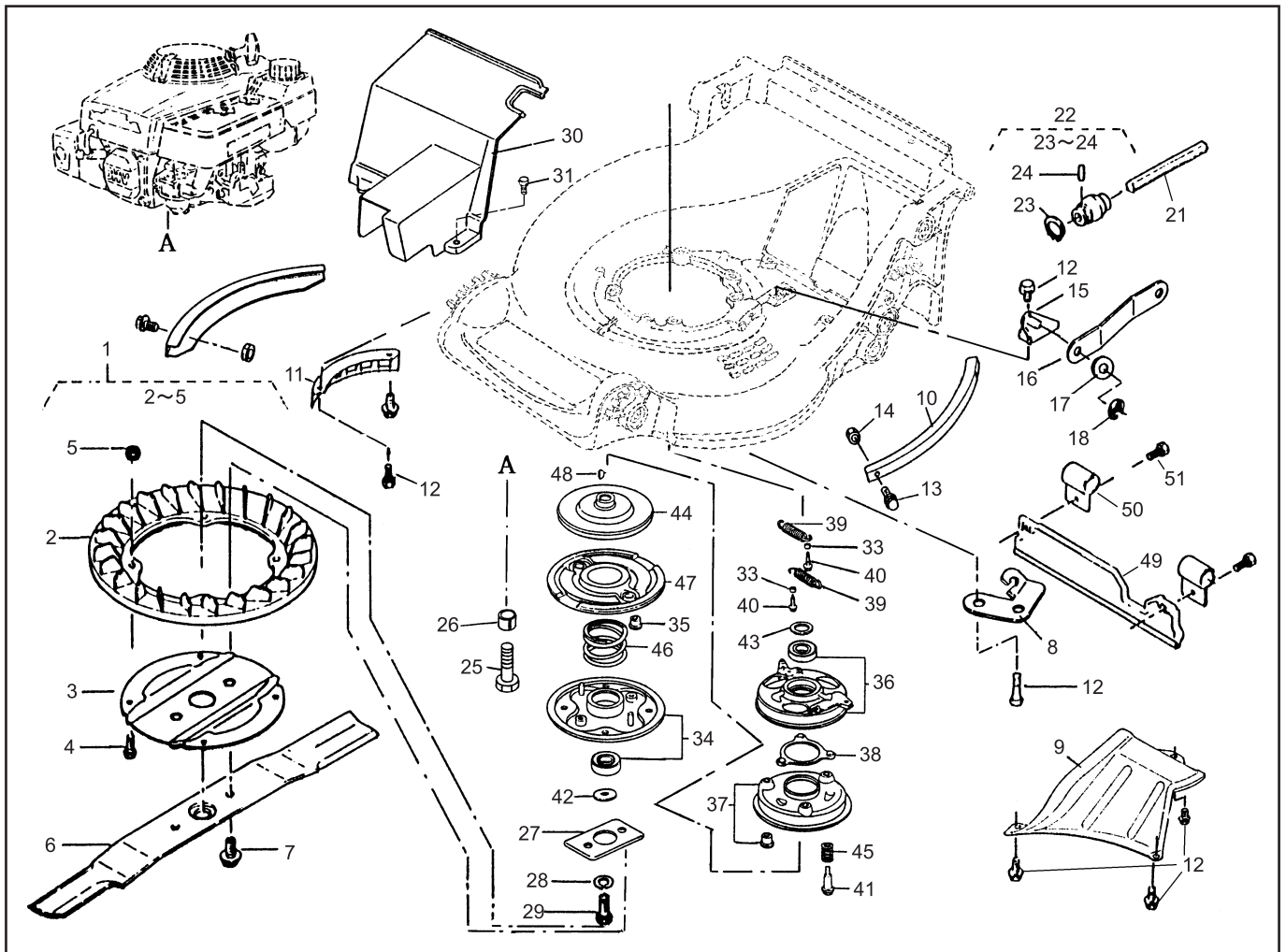


PARTS LIST

MODEL : SLM4840HX (SARP)

46014-115

REF. No.	PARTS No.			PARTS NAME	WHEEL			1/2	RECOMM.(%) Lot.100	REMARKS
					Q'TY	PRICE()				
				INCLUDING						
1	51043	146	42	HOUSING	1				3	
2	71041	103		WHEEL ASSY	2				3	
3	91086	102		TIRE		2			15	
4	36107	102		WHEEL		2			3	
5	932L	0696		BEARING			4		5	
6										
7	11142	112		ADJUSTER	2				5	
8	11142	113		ADJUSTER	2				5	
9	36070	110		CAP	4				3	
10										
11										
12										
13										
14										
15	569L	0800		FLANGE NYLON NUT	4				10	M8
16	664V	0626		WAVE SPRING WASHER	2				5	
17	68036	101		WASHER	4				3	
18	31057	181		HEXAGON BOLT	4				3	
19	11150	101	09	ADJUST LEVER	2				5	
20	36061	121		KNOB	4				3	
21	71041	112		WHEEL ASSY	2				3	
22	91086	106		TIRE		2			15	
23	36107	101		WHEEL		2			3	
24										
25										
26	71122	101		ADJUSTER ASSY(L)	1				-	
27	11142	104		ADJUSTER		1			3	

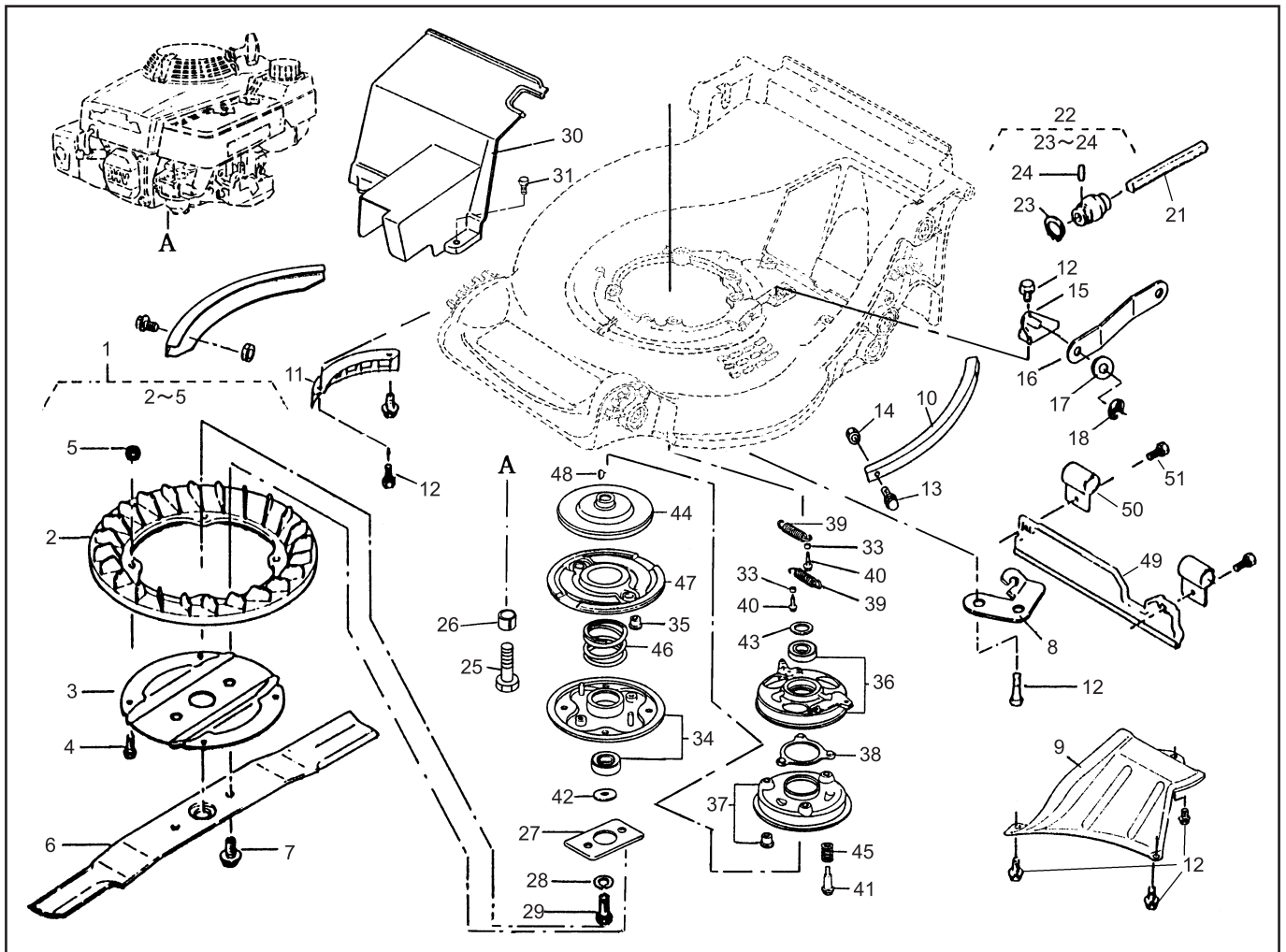


PARTS LIST

MODEL : SLM4840HX (SARP)

46014-115

REF. No.	PARTS No.	PARTS NAME	GRASS-CUTTING		PRICE()	1/2	RECOMM.(%) Lot.100	Jan.25,2003	REMARKS
			Q'TY	INCLUDING					
1	71082 111	FAN ASSY	1				-		
2	51125 103	FAN	1				5		
3	11102 151	HOLDER	1				5		
4	31062 169	PRE-COAT LOCK BOLT	4				5		M6 × 16
5	579L 0600	FLANGE NUT	4				5		M6
6	91014 165	BLADE	1				15		
7	31057 197	HEXAGON BOLT	2				15		
8	51002 118	WIRE HOLDER	1				3		
9	36065 400	COVER	1				10		
10	51090 128 09	PROTECTOR	2				5		
11	36065 180	COVER	1				3		
12	342J 0612	FLANGE BOLT TAPPING	9				3		M6 × 12
13	335L 0616	FLANGE BOLT	4				5		M6 × 16
14	512L 0600	HEXAGON NUT	4				3		M6
15	11006 113	STAY C.P.	1				5		
16	91049 119	CONNECTOR	1				5		
17	611L 1000	WASHER	1				3		M10
18	816V 0800	E-SNAP RING	1				5		φ8
19									
20									
21	64014 244	SHAFT	1				3		
22	91097 101	UNIVERSAL JOINT	1				3		
23	812V 2000	C-SNAP RING FOR SHAFT	1				1		φ20
24	717B 0418	PARALLEL PIN	1				5		φ4 × 18
25	31057 243	HEXAGON BOLT	4				3		
26	61024 142	SPACER	2				3		
27	61024 208	SPACER	1				3		

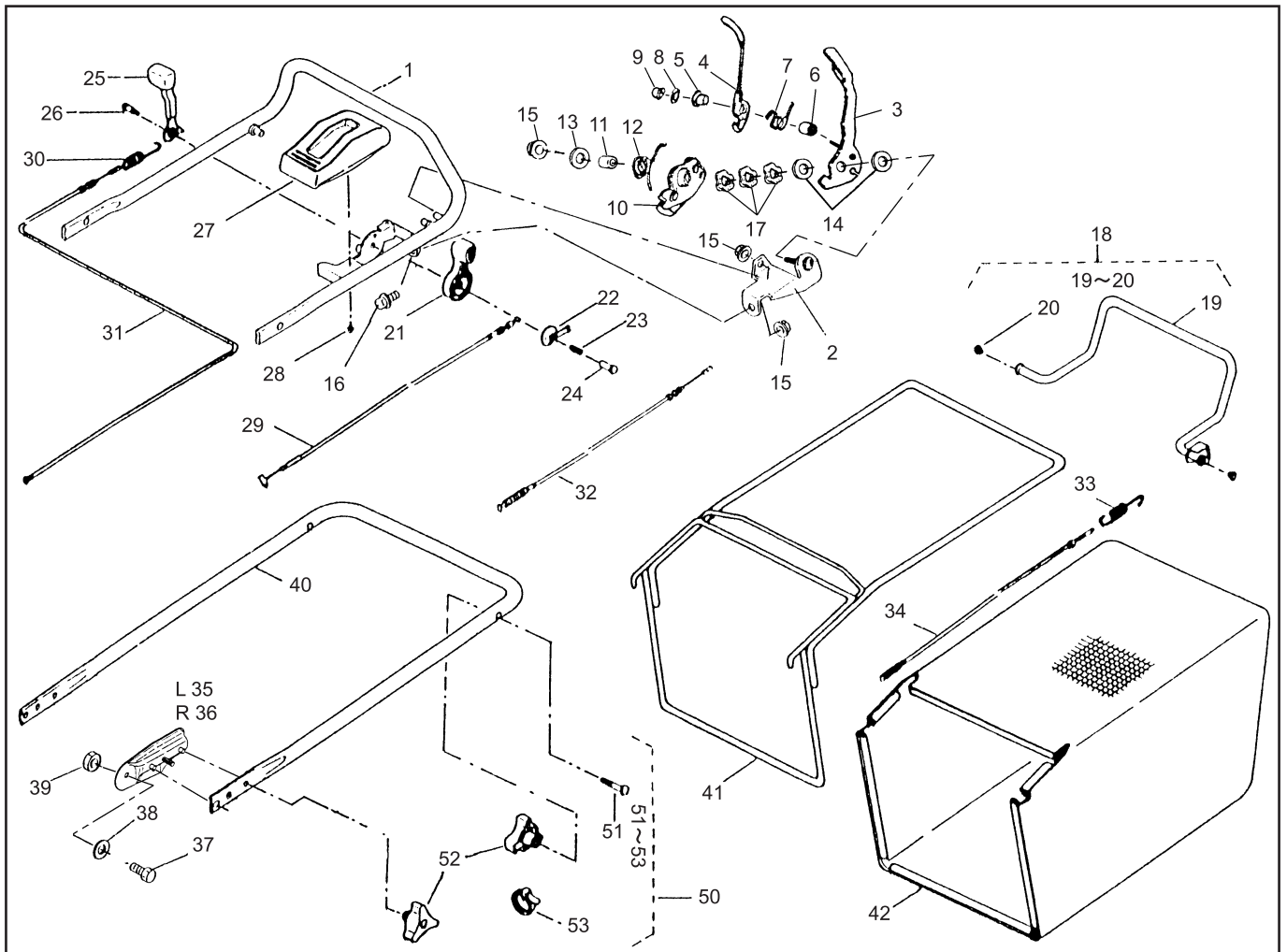


PARTS LIST

MODEL : SLM4840HX (SARP)

46014-115

REF. No.	PARTS No.	PARTS NAME	GRASS-CUTTING			2/2	RECOMM.(%) Lot.100	REMARKS
			Q'TY	PRICE()	INCLUDING			
28	671V 1000	CONICAL SPRING WASHER	1			3		
29	31057 196	HEXAGON BOLT	1			3		
30	36065 398	COVER	1			3		
31	342L 0616	FLANGE BOLT TAPPING	1			3	M6 x 16	
32	71067 106	BRAKE ASSY	1			-		
33	19512 883 000	FAN COLLAR	2			-		
34	72600 VA4 010	BLADE HOLDER ASSY	1			3		
35	72613 VA4 000	BLADE HOLDER BUSH	2			5		
36	75090 VA4 030	BALL CONTROL PLATE	1			10		
37	75100 VA4 010	BRAKE C.P.	1			3		
38	75110 VA4 000	BALL RETAINER C.P.	1			10		
39	75182 VA3 J00	CLUTCH RETURN SPRING	2			5		
40	90014 952 000	FLANGE BOLT	2			3		
41	90021 VA4 000	SPECIAL BOLT	3			3		
42	90409 952 000	WASHER	1			3		
43	90501 952 010	THRUST WASHER	1			3		
44	75130 VA4 000	DRIVE DISK	1			3		
45	75132 VA4 000	BRAKE HOLDER SPRING	3			5		
46	75183 VA3 J00	CLUTCH SPRING	1			3		
47	75150 VA3 J01	DRIVEN DISK C.P.	1			3		
48	94401 16150	WOOD RUFF KEY	1			15		
49	36046 122	SAFETY GUARD	1			3		
50	11012 126	HANGER BAND	2			3		
51	335L 0616	FLANGE BOLT	2			15	M6 x 16	
52								

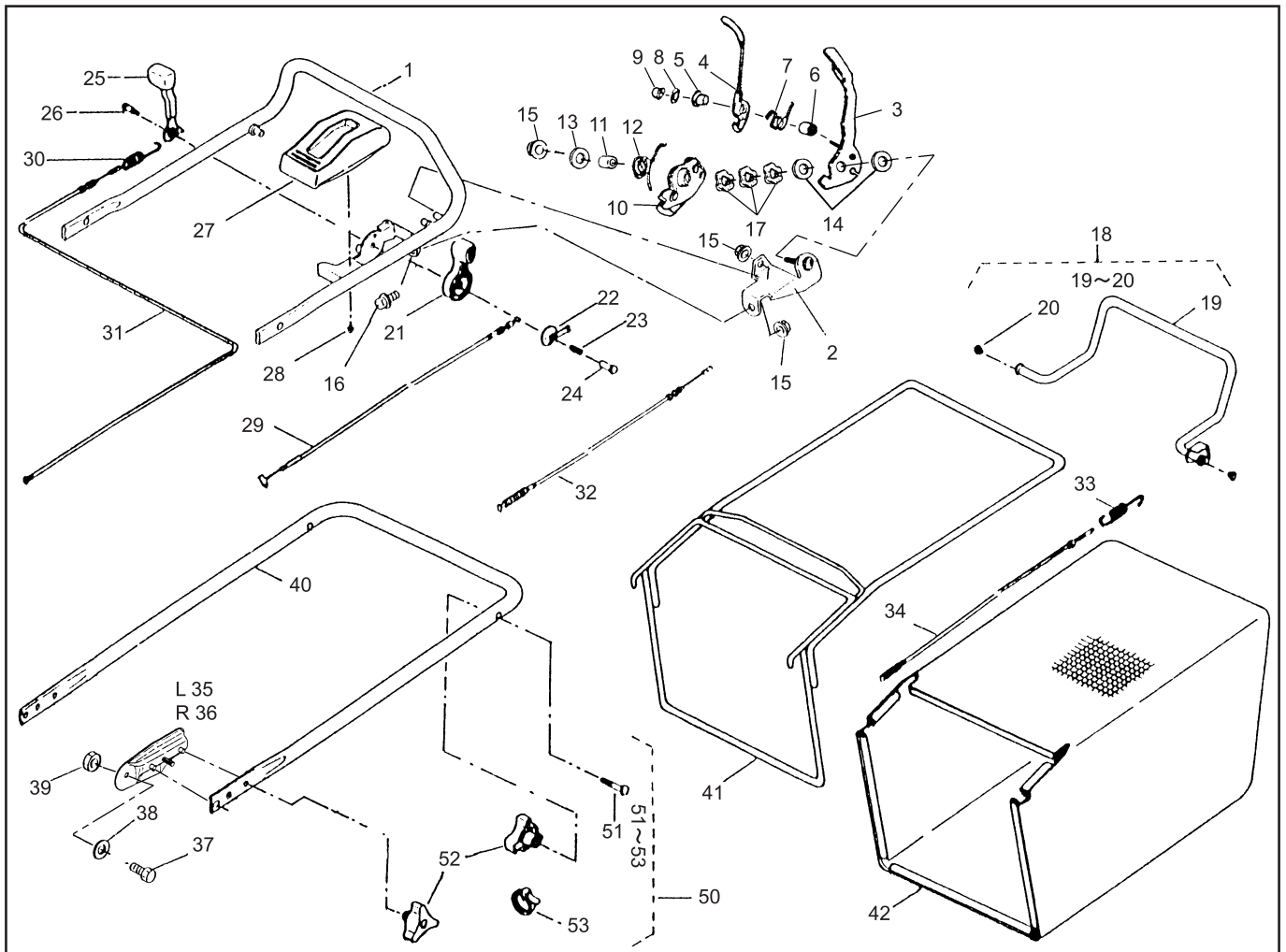


PARTS LIST

MODEL : SLM4840HX (SARP)

46014-115

REF. No.	PARTS No.	PARTS NAME	HANDLE		PRICE()	1/2 RECOMM.(%) Lot.100	Jan.26,2003 REMARKS
			Q'TY	INCLUDING			
1	51027 242	HANDLE	1			3	
2	11113 396 09	STAY	1			5	
3	11095 160 09	LEVER	1			10	
4	11095 161 09	LEVER	1			10	
5	76007 131	BUSH	1			10	
6	61024 206	SPACER	1			5	
7	68013 334	SPRING	1			5	
8	68036 198	WASHER	1			3	
9	563L 0600	U-HEXAGON CAP NUT	1			5	M6
10	11109 108	LINK	1			5	
11	61024 207	SPACER	1			10	
12	68013 335	SPRING	1			10	
13	68036 262	WASHER	1			5	
14	68036 200	WASHER	2			5	
15	569L 0800	FLANGE NYLON NUT	3			5	M8
16	335L 0820	FLANGE BOLT	1			3	M8 × 20
17	664J 1600	WAVE SPRING WASHER	3			3	M16
18	71161 111 09	LEVER ASSY	1			-	
19		LEVER		1		-	
20	76007 131	BUSH		2		15	
21	91010 169	THROTTLE LEVER	1			10	
22	61003 113	THRUST PLATE	1			5	
23	68013 356	SPRING	1			3	
24	31058 168	HEXAGON NUT	1			3	
25	11095 117	LEVER	1			3	
26	31062 109	PRE-COAT LOCK BOLT	1			5	
27	71900 796	COVER ASSY	1			3	

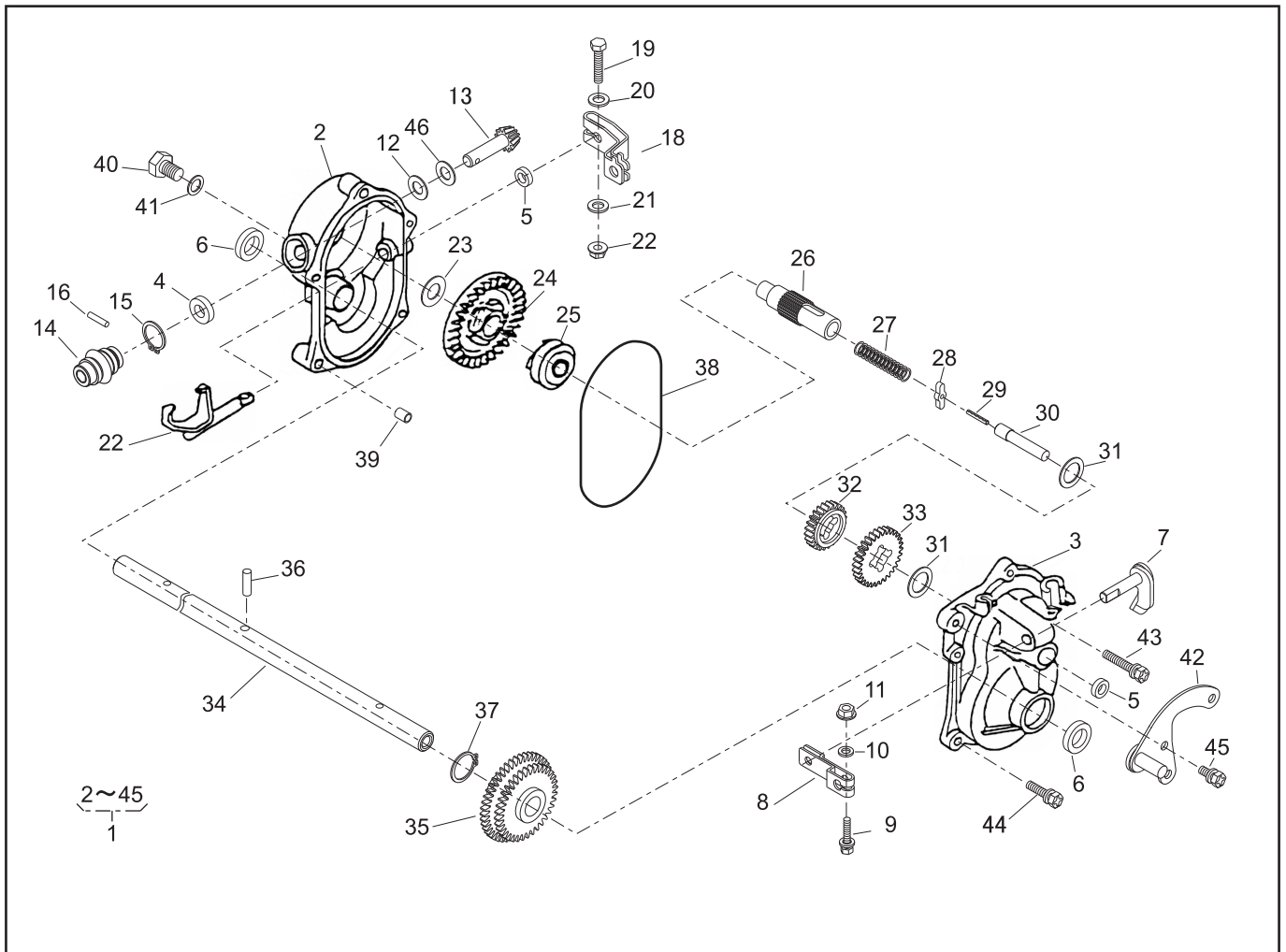


PARTS LIST

MODEL : SLM4840HX (SARP)

46014-115

REF. No.	PARTS No.	PARTS NAME	HANDLE			2/2		REMARKS
			Q'TY INCLUDING	PRICE()	RECOMM.(%) Lot.100	Jan.26,2003		
28	470L 0514	(+)TAPPING SCREW	2			3	M5 × 14	
29	91001 233	THROTTLE WIRE (GXV120/GXV160)	1			10		
30	68013 161	SPRING	1			5		
31	91003 125	CONTROL CABLE	1			10		
32	91003 144	CONTROL CABLE (BBC)	1			15		
33	68013 183	SPRING	1			15		
34	91003 140	CONTROL CABLE	1			10		
35	51116 145	HANDLE BRACKET (L)	1			3		
36	51116 146	HANDLE BRACKET (R)	1			3		
37	312M 0830	HEXAGON BOLT(SW)	2			3	M8 × 30	
38	68036 101	WASHER	2			3		
39	512L 0800	HEXAGON NUT	2			3	M8	
40	51027 146	HANDLE	1			3		
41	11062 174	FRAME C.P.	1			10		
42	36098 137	GRASS BAG C.P. (BLACK)	1			15		
43								
44								
45								
46								
47								
48								
49								
50	71052 119	BOLT SET	1			-		
51	31057 134	BOLT		2		3		
52	36061 118	KNOB		4		3		
53	68028 103	WIRE BAND		2		3		
54								



PARTS LIST

MODEL : SLM4840HX (SARP)

46014-115-1

REF. No.	PARTS No.	PARTS NAME	GEAR CASE			1/2	RECOMM.(%) Lot.100	REMARKS
			Q'TY	PRICE()	INCLUDING			
1	71008 326	GEAR CASE ASSY	1			-		
2	51001 195	GEAR CASE	1			3		
3	51001 196	GEAR CASE	1			3		
4	61002 161	OIL SEAL	1			5	SD 10 20 5	
5	61002 162	OIL SEAL	2			5	SD 8 14 4	
6	61002 163	OIL SEAL	2			5	SD 15 24 5	
7	64024 104	THIFTER SHAFT	1			3		
8	11104 119	ARM	1			3		
9	320L 0525	HEXAGON BOLT(PW)	1			3	M5 × 25	
10	611L 0500	PLAIN WASHER	1			3	M5	
11	571L 0500	FLANGE NUT	1			3	M5	
12	61003 109	THRUST PLATE	1			5		
13	78003 130	PINION	1			3		
14	91097 101	UNIVERSAL JOINT	1			3		
15	812V 2000	C-SNAP RING FOR SHAFT		1		1	φ 20	
16	717B 0418	PARALLEL PIN		1		3	φ 4 × 18	
17	11097 106	SHIFTER FORK	1			3		
18	11104 137	ARM	1			3		
19	311M 0630	(+)HEXAGON BOLT	1			3	M6 × 30	
20	611L 0600	PLAIN WASHER	1			3	M6	
21	613L 0600	PLAIN WASHER	1			3	M6	
22	571L 0600	FLANGE NUT	1			3	M6	
23	61024 117	SPACER	1			5		
24	78001 162	BEVEL GEAR	1			3		
25	11129 107	CLUTCH	1			3		
26	64014 236	SHAFT	1			3		
27	68013 262	SPRING	1			3		

